



Third-Party Payroll Time Card Integration Simplified (Including Code)

By Paul Hanson

***Editor's Note:** The methods may be hi-tech, but the need is the same: making sure you track employee time accurately. Integrating a third-party time tracking system (such as Kronos) with JD Edwards can be a tricky situation. In the "time"-honored JDEtips tradition, Paul Hanson offers his interface design and code -- saving you time and expense. Punch in here to learn more!*

Introduction

During my 11 years working with JD Edwards® software, I have had the opportunity to work with all of the popular modules. Much of this time has been spent developing integrations between World® General Ledger, Accounts Payable, Sales, Inventory, Procurement, Manufacturing, and Payroll.

This article presents an interface between a third party time tracking system and JD Edwards World payroll time entry.

Business Case

The business case for any interface is simple. For one reason or another, many businesses who implement JD Edwards also utilize third party systems or services that augment the JD Edwards solutions provided to the enterprise.

It's pretty common for a company to own some sort of labor time tracking system such as Kronos™. Kronos and systems like it rely on an ID number, which can be entered on a keypad, swiped from a magnetic card, or scanned from a bar code. The ID number corresponds with an employee record. When the number is entered, the current time is captured. This is what I refer to as punching a clock in the 21st century.

Chances are that deploying this system, regardless of its size, was time consuming and costly to your company. The system could be a pre-existing implementation or an add-on to your JD Edwards implementation. In either case, it's usually necessary to import the data captured by the time tracking system into JD Edwards. The good news: it's not that difficult to build an integration that will fill the requirement.

Without this automated interface, users must manually enter time card data through the JDE Time Entry function in order to get the data into the World Payroll application and ultimately into the appropriate General Ledger accounts. It quickly becomes apparent that any efficiency gained by using the third party time tracking system is lost through this labor-intensive task. Not to mention that manual data entry greatly increases the opportunity for errors.

The Solution

The solution to bringing the time card data into World is to build an interface such as I developed and implemented for a client who used a large deployment of a third party time tracking system.

The objective of this interface is to import time tracking data from the third party time tracking system into JD Edwards Payroll Time Entry. The interface replaces the functionality provided by the time entry applications found on menu G0712. See Figure 1.



Third-Party Payroll Time Card Integration Simplified (Including Code)

```
G0712                                J.D. Edwards & Company
                                      Time Entry

... TIME ENTRY
2.  by Employee
3.  by Job or Business Unit
4.  by Employee w/Equipment
5.  Daily Timecard Entry

... BATCH REVIEW
8.  Review by Date
9.  Batch Summary by Batch
10. Batch Review by Pay Type
11. Detail Batch Review

... TIME ENTRY REGISTERS
14. Time & Pay Register
15. Payroll Exception Report
16. DBA Register

... ADDITIONAL FEATURES
20. Automatic Timecard Generator
21. Employee Time Sheets
22. Edit Uploaded Timecards Menu
23. Rounding Adjustment Generator

Selection or command
===> █

Wed, Jun 14, 2006                    PCHANSON
7:56:17am                            (C) J.D.Edwards & Co 1985,1996
                                      QPADEV0000
```

Figure 1 – Time Entry Menu

The files to become familiar with for this solution are the F06116Z1 (Employee Transactions – Batch File) and the F06116 (Employee Transactions Detail File). The layout of these files can be viewed by using hidden selection 40 from the JD Edwards command line. The F06116 file is populated by the data imported into the F06116Z1. A flow of the interface and where these files fit into the solution is shown in Figure 2.

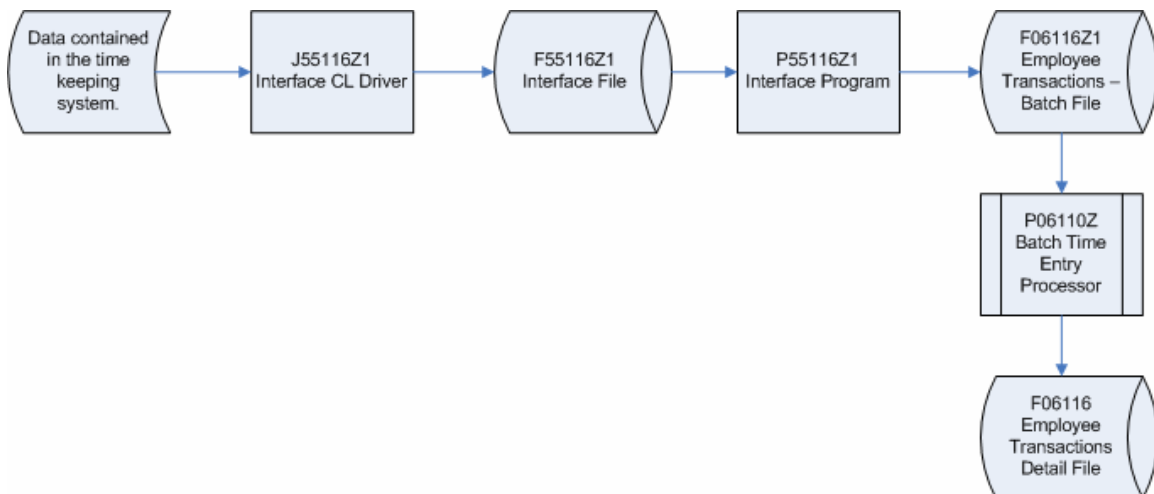


Figure 2 – Interface Data Flow

You'll need a custom file is needed as part of this solution. I created F55116Z1 to hold the raw data retrieved from the time tracking system. Figure 3 illustrates the file layout developed specifically for the time tracking system used by my client. While the layout of your file may need some tweaking, I think you'll get the idea of what types of fields need to be included.

This Article Continues...

Subscribers, log in from our main search page to access the full article:

www.JDEtips.com/MyAccess.html

Not a Subscriber? Gain access to our full library of JDE topics:

www.JDEtips.com/JD-Edwards-Library

Visit www.JDEtips.com for information on the JDEtips University schedule, private training and consulting, and our Knowledge Express Document Library.

License Information: The use of JDE is granted to JDEtips, Inc. by permission from J.D. Edwards World Source Company. The information on this website and in our publications is the copyrighted work of JDEtips, Inc. and is owned by JDEtips, Inc.

NO WARRANTY: This documentation is delivered as is, and JDEtips, Inc. makes no warranty as to its accuracy or use. Any use of this documentation is at the risk of the user. Although we make every good faith effort to ensure accuracy, this document may include technical or other inaccuracies or typographical errors. JDEtips, Inc. reserves the right to make changes without prior notice.

Oracle and J.D. Edwards EnterpriseOne and World are trademarks or registered trademarks of Oracle Corporation. All other trademarks and product names are the property of their respective owners.

Copyright © by JDEtips, Inc.